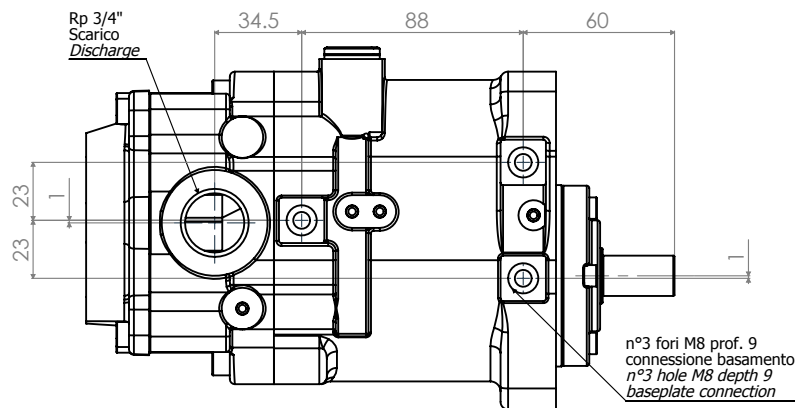


Valvole brevettate per compressori rotativi a vite e a piston  
Patented valves for piston and screw rotary compressors  
**GRUPPO VITE MOD. V60 smart/B-FAS**  
**AIR END MOD. V60 smart/B-FAS**

S.I. sistema internazionale  
Le quote mostrate sono in mm  
The showed dimensions are in mm

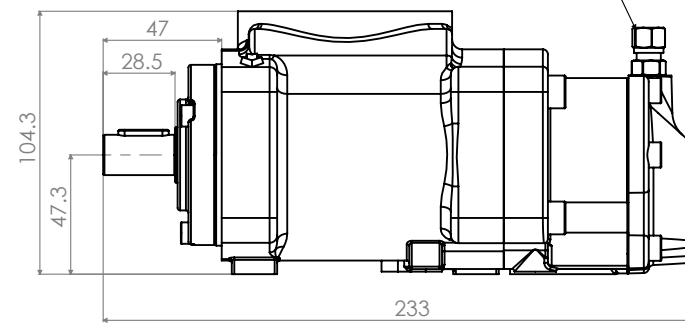
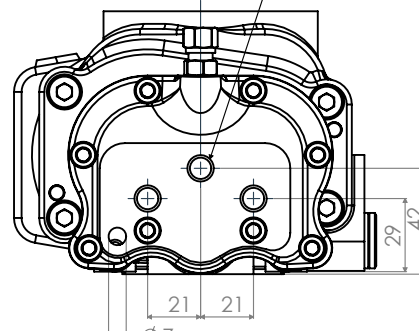
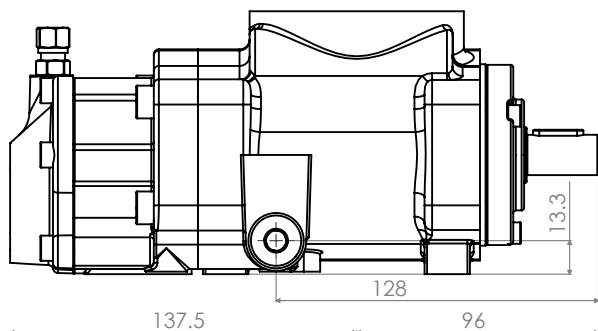
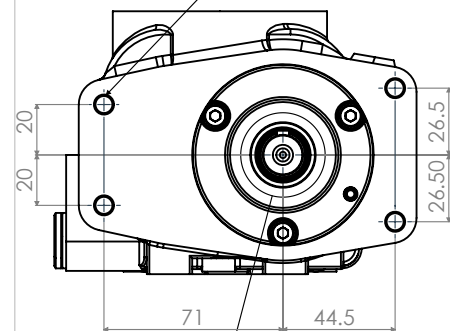
Электронная почта  
info@dileks-air.ru



n°3 fori M10 prof. 13.5  
connessione basamento  
n°3 hole M10 depth 13.5  
baseplate connection

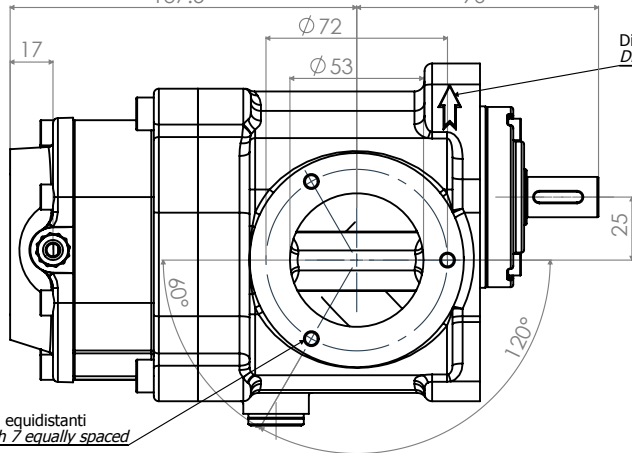
Recupero olio tubo Ø6x4  
Recovery oil Ø6x4 pipe

n°4 fori M8 prof.15  
n°4 hole M8 depth 15

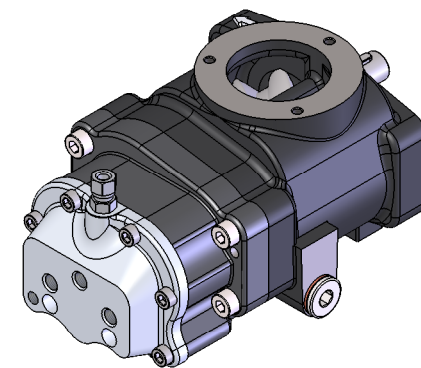
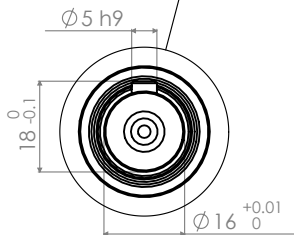


Direzione di rotazione  
Direction of rotation

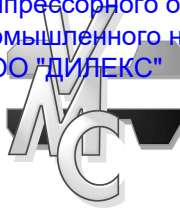
Iniezione olio  
Inject oil



n°3 fori M6 prof.7 equidistanti  
n°3 hole M6 depth 7 equally spaced

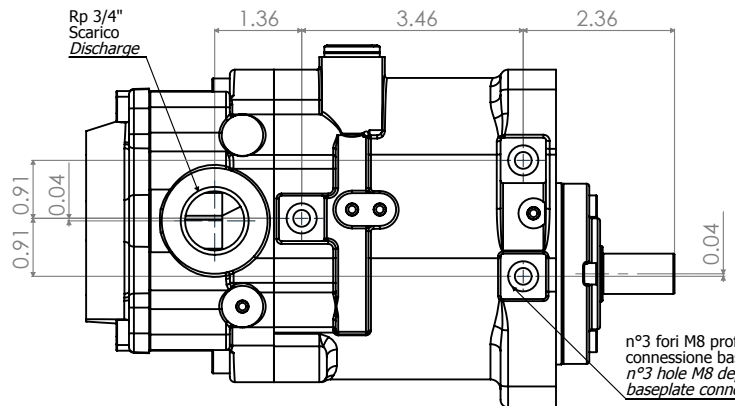


TIPO TYPE	PQ	REVISIONE REVISION	00	DATA DATE	04/16	LINEA LINE	900	ARTICOLO ARTICLE	.61	MODELLO MODEL	00
--------------	----	-----------------------	----	--------------	-------	---------------	-----	---------------------	-----	------------------	----



Valvole brevettate per compressori rotativi a vite e a piston  
 Patented valves for piston and screw rotary compressors  
**GRUPPO VITE MOD. V60 smart/B-FAS**  
**AIR END MOD. V60 smart/B-FAS**

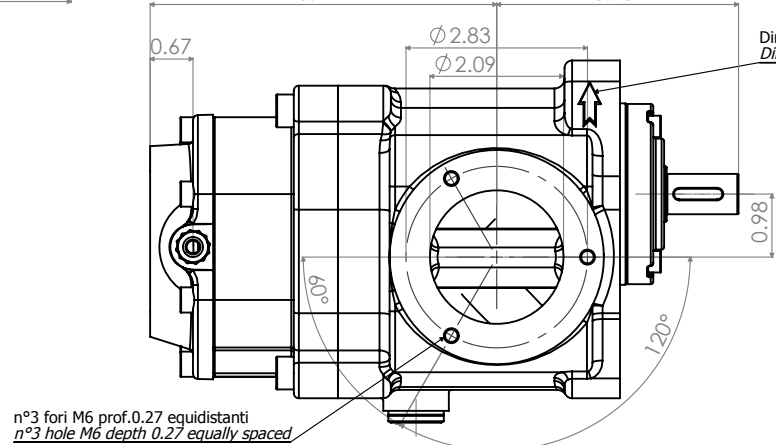
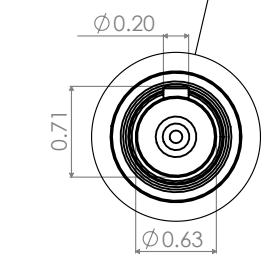
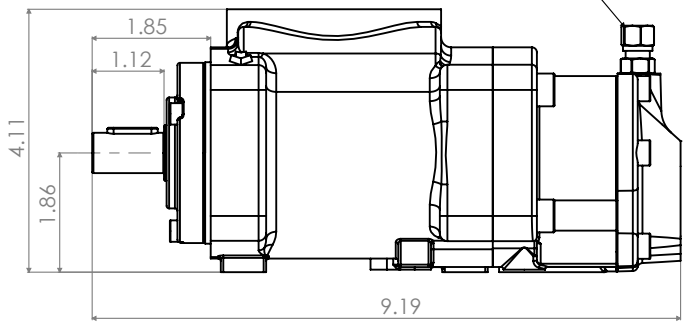
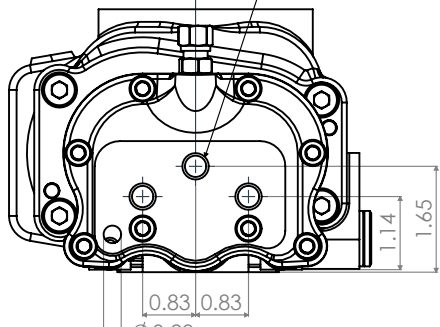
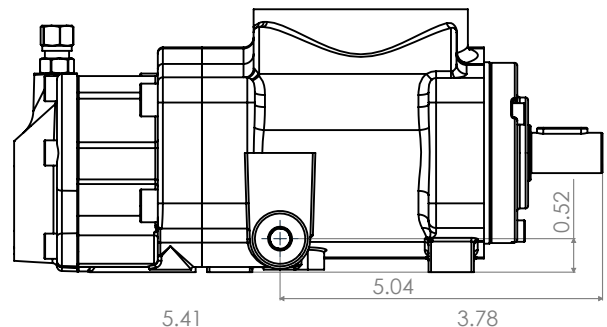
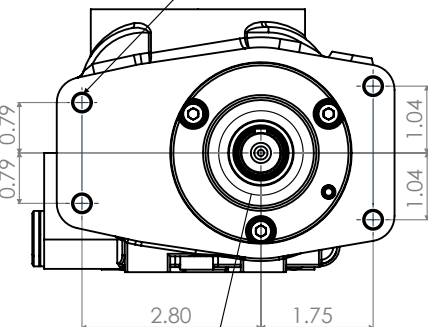
**U.S. Units system**  
 Le quote mostrate sono in pollici  
 The showed dimensions are in inches  
 Электронная почта  
 info@dileks-air.ru



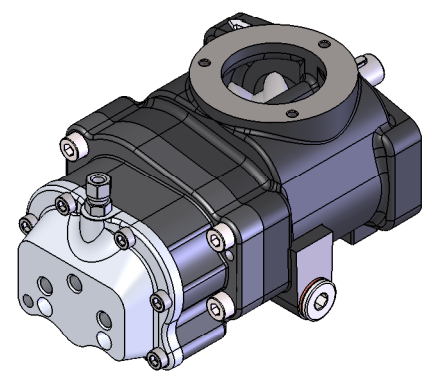
n°3 fori M10 prof. 0.53  
 connessione basamento  
 n°3 hole M10 depth 0.53  
 baseplate connection

Recupero olio tubo Ø0.24x0.32  
 Recovery oil Ø0.24x0.32 pipe

n°4 fori M8 prof. 0.59  
 n°4 hole M8 depth 0.59



n°3 fori M6 prof.0.27 equidistanti  
 n°3 hole M6 depth 0.27 equally spaced



TIPO TYPE	PQ	REVISIONE REVISION	00	DATA DATE	04/16	GRUPPO LINE	900	ARTICOLO ARTICLE	.61	MODELLO MODEL	00
--------------	----	-----------------------	----	--------------	-------	----------------	-----	---------------------	-----	------------------	----